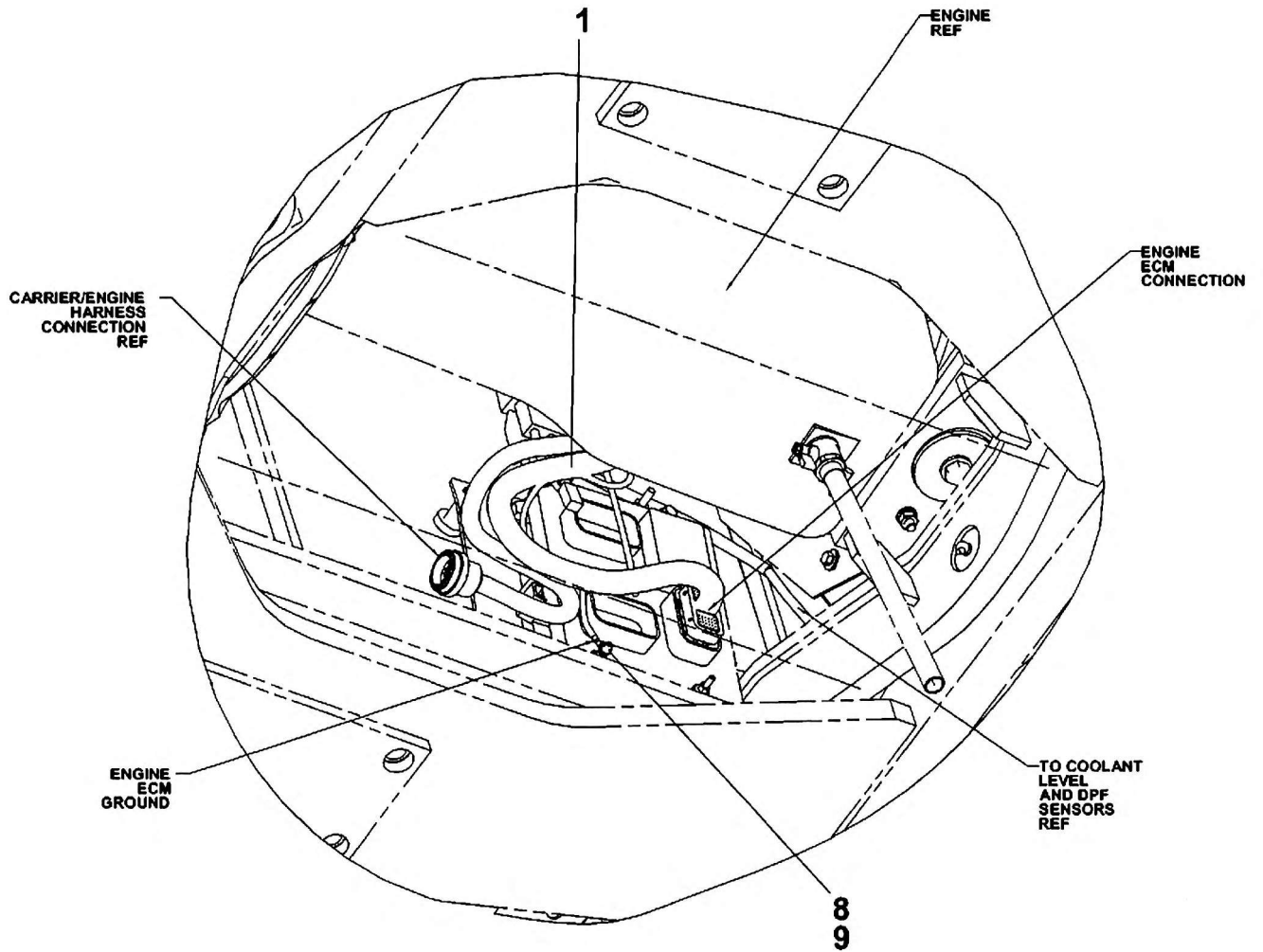
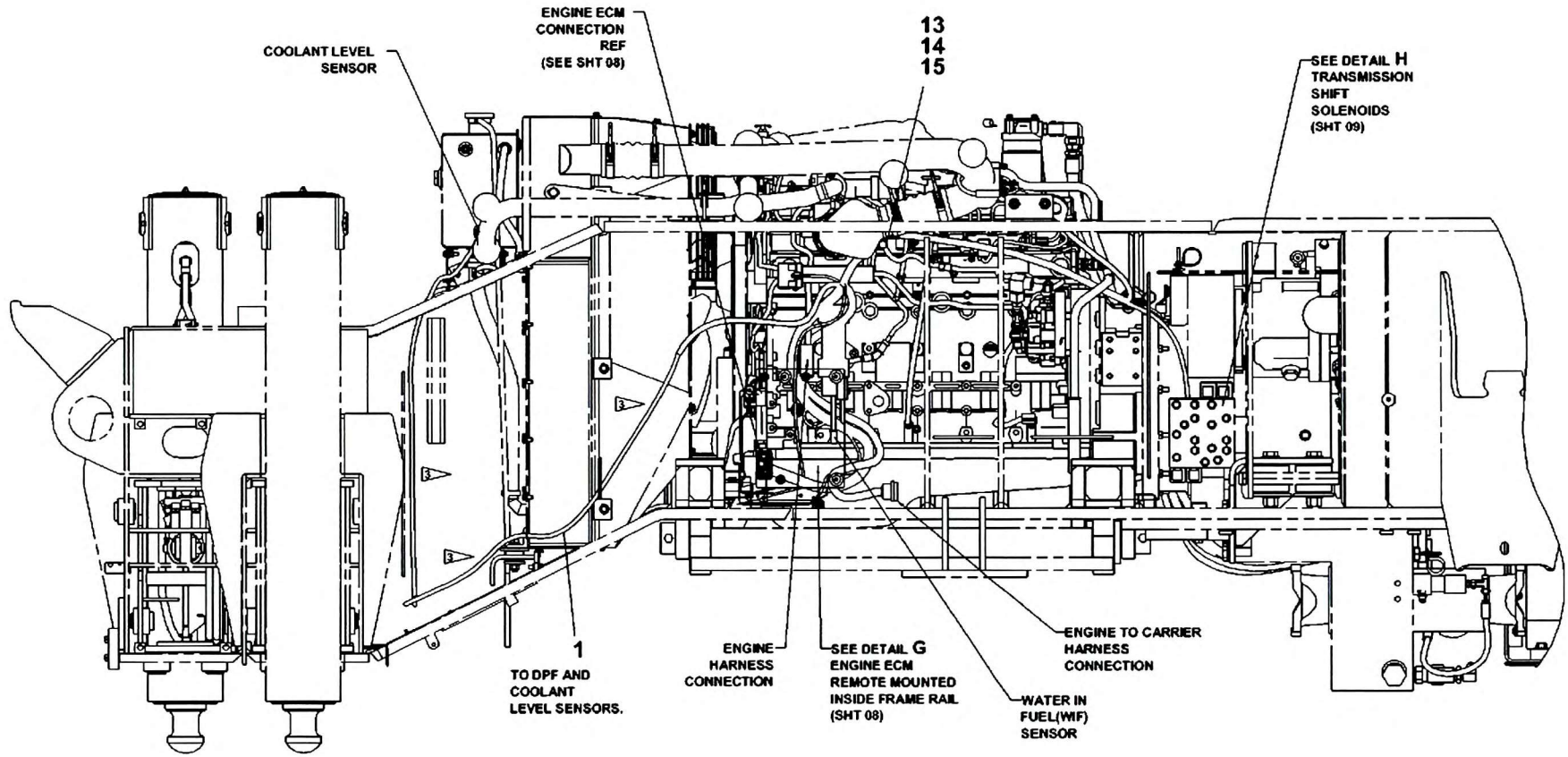


DETAIL H
TRANSMISSION SHIFT SOLENOIDS

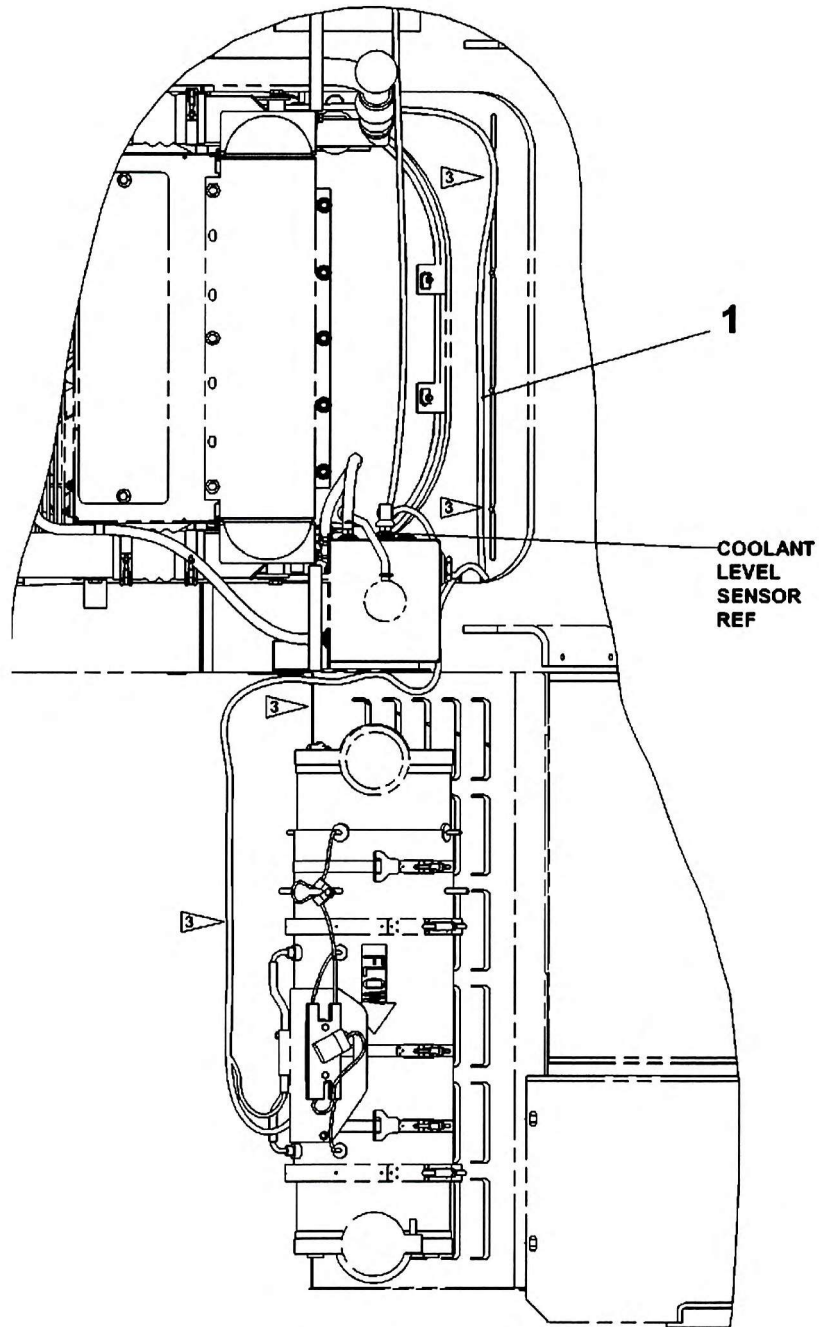


DETAIL G
ENGINE ECM, REMOTE MOUNTED
(VIEW LOOKING UP, REAR AXLE NOT SHOWN FOR CLARITY)



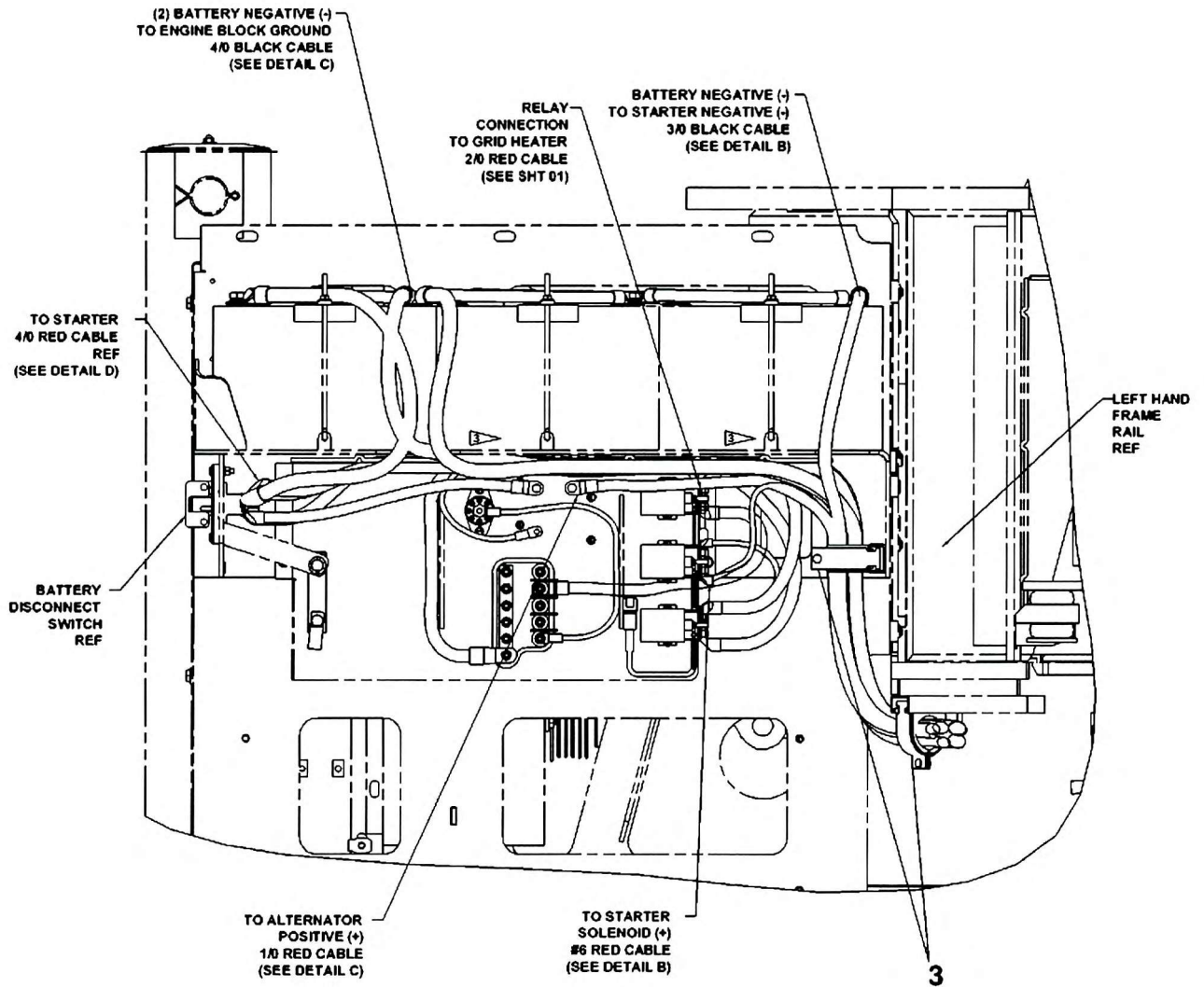
RIGHT SIDE VIEW OF ENGINE COMPARTMENT
(RIGHT FRAME RAIL NOT SHOWN FOR CLARITY)

FORWARD →



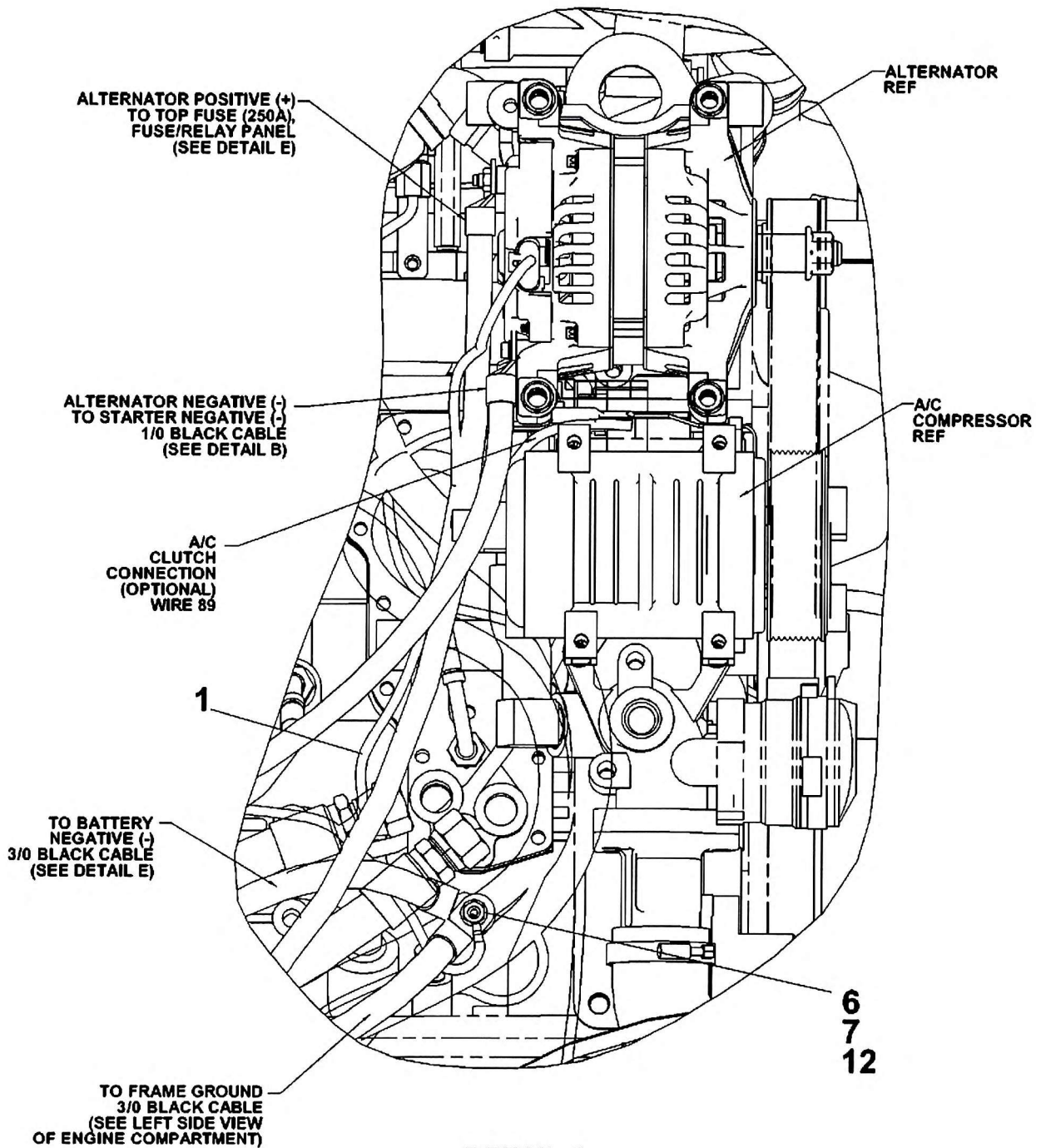
DETAIL F
DIESEL PARTICULATE
FILTER(DPF) SENSORS
(TOP VIEW)

Manitowoc Cranes



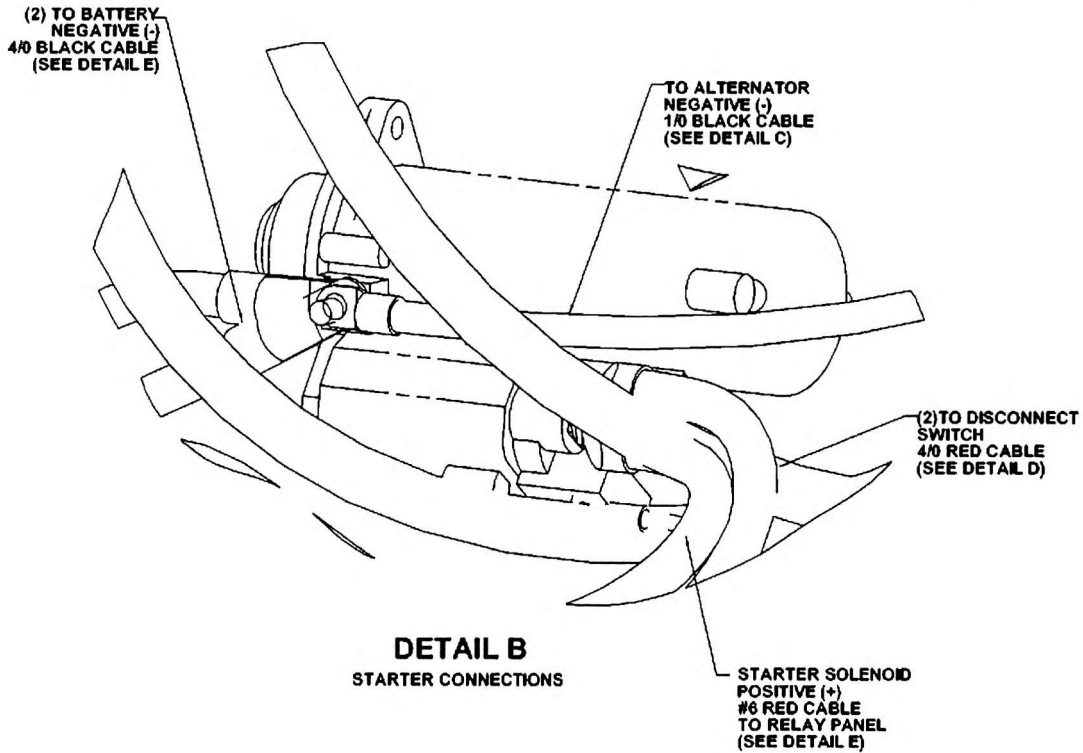
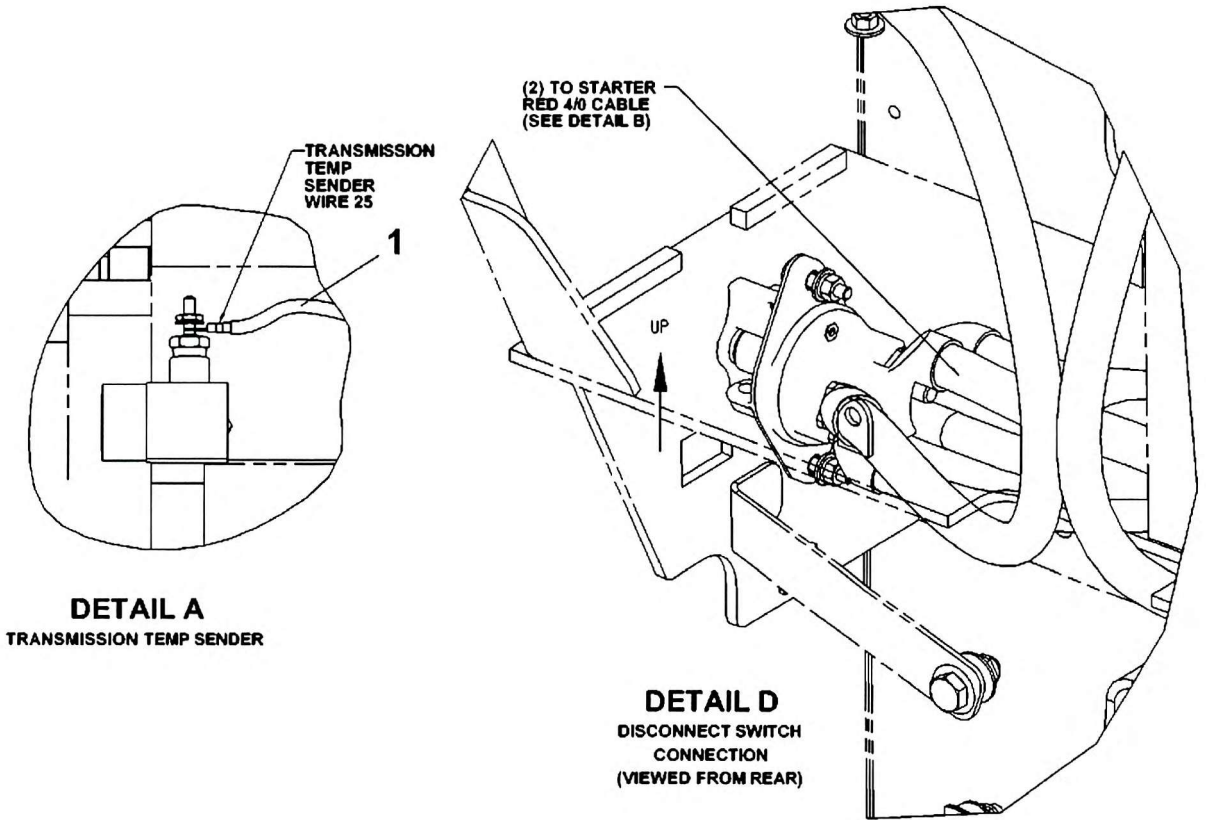
DETAIL E
FUSE/RELAY PANEL &
BATTERY CONNECTIONS
(VIEW LOOKING FORWARD)

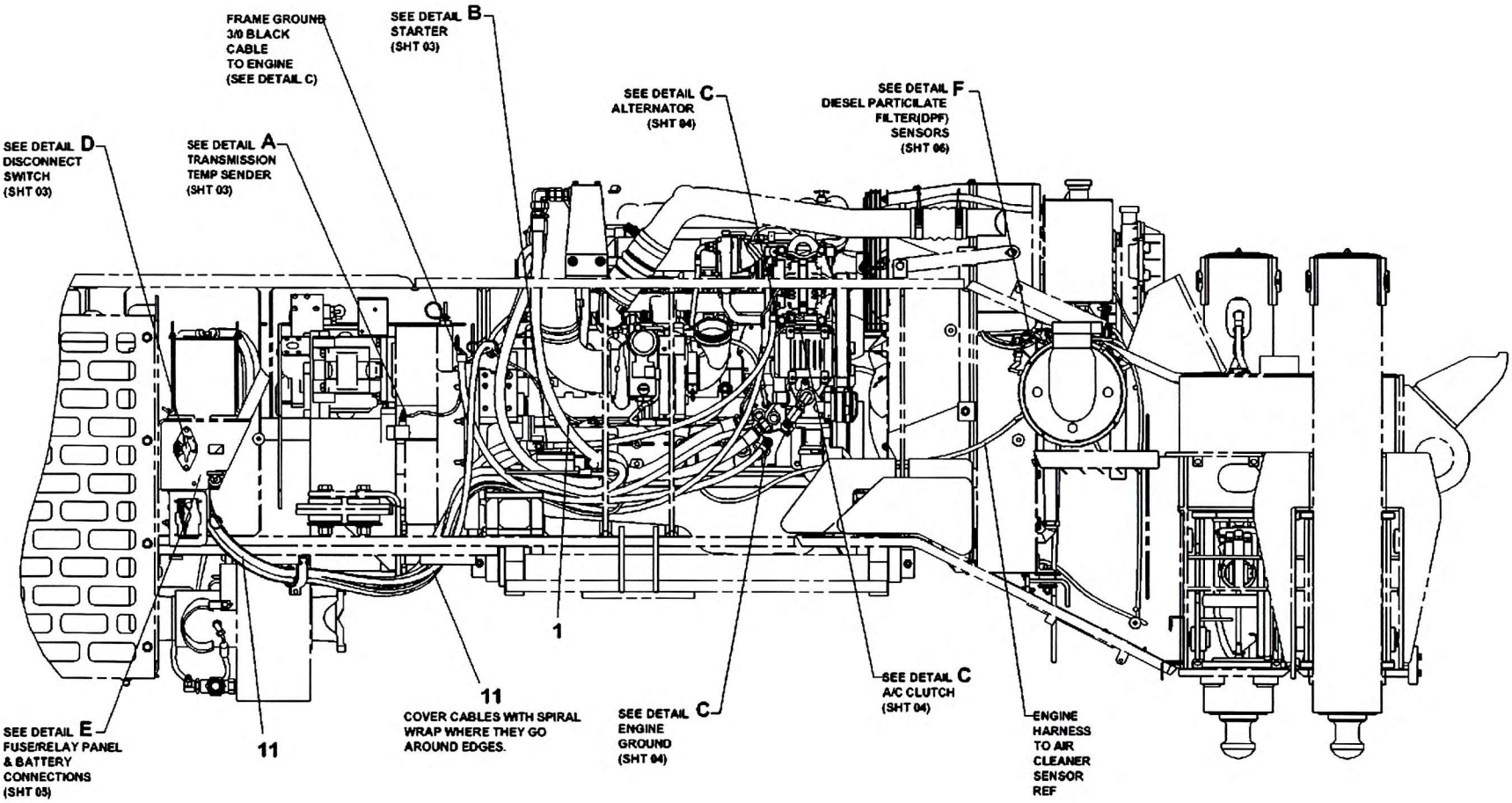
Manitowoc Cranes



DETAIL C
ALTERNATOR, A/C CLUTCH
& ENGINE GROUND CONNECTIONS

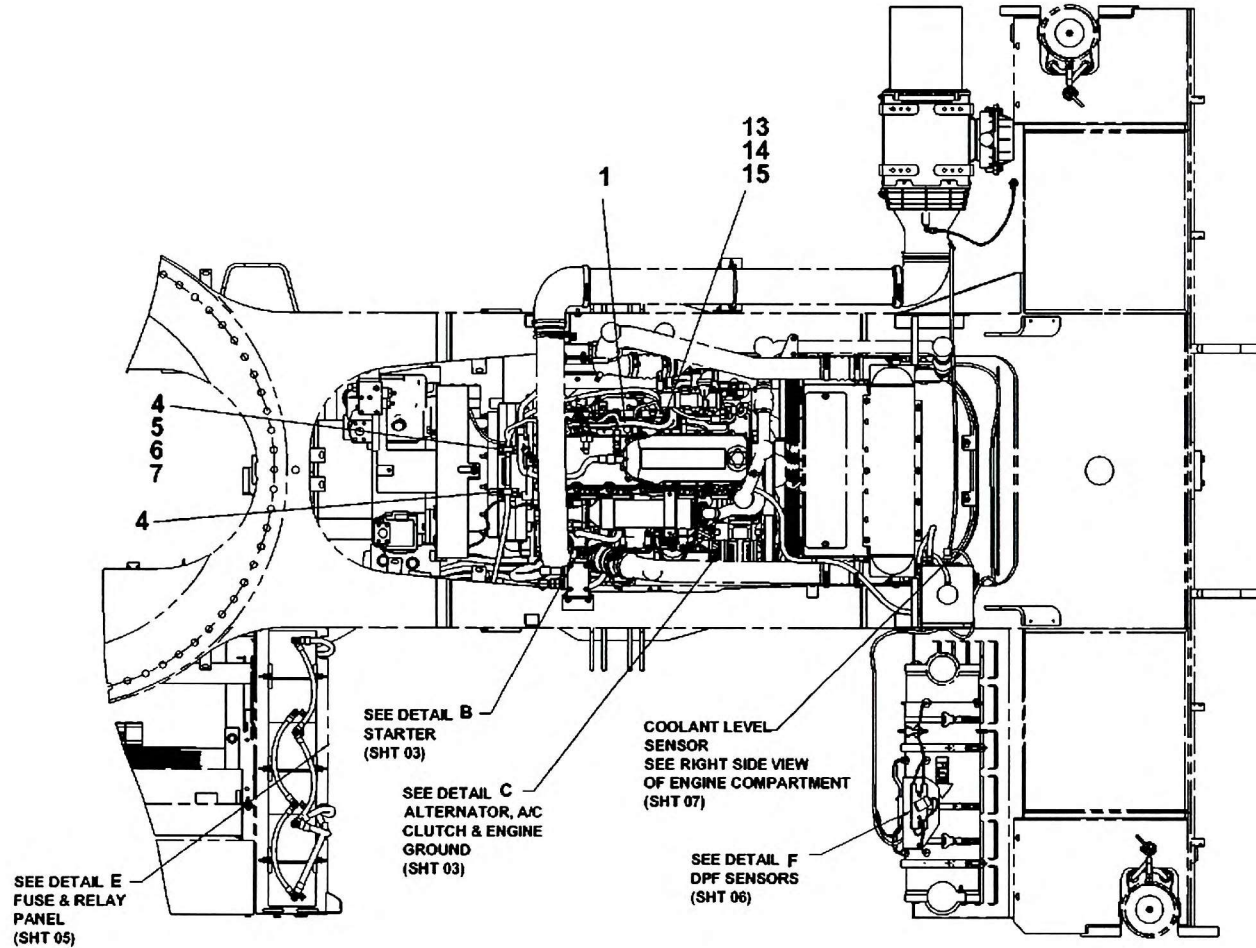
Manitowoc Cranes





LEFT SIDE VIEW OF ENGINE COMPARTMENT
 (LEFT FRAME RAIL NOT SHOWN FOR CLARITY)

← FORWARD



NOTES:
▶ USE TIE BARS TO ROUTE HARNESS IN THIS AREA.
USE TIE STRAPS AS REQUIRED.

TOP VIEW OF ENGINE COMPARTMENT

